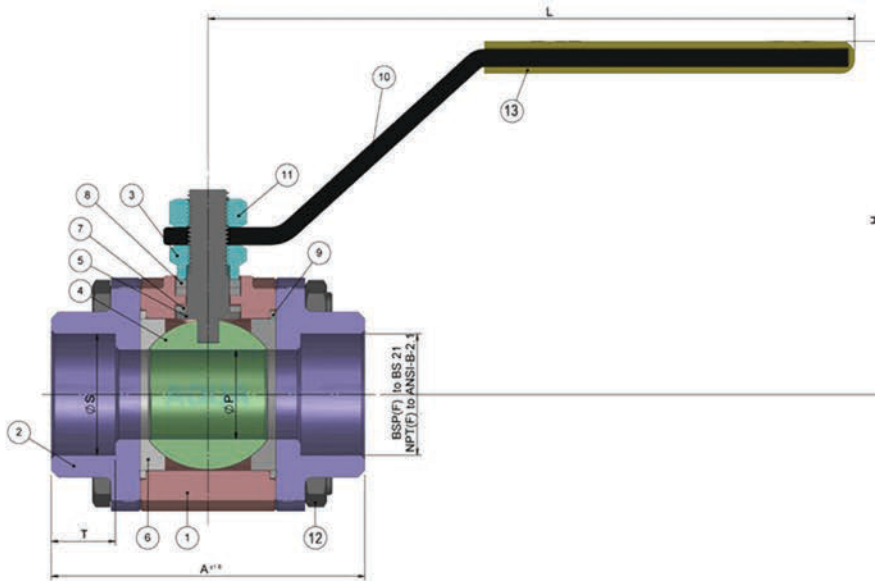


**Screwed End, Socket Weld, Butt Weld,
3 Piece, Full Port, Class 800, Size15-50**



SERIES 72 - F3

SIZE	DIMENSIONAL DATA IN MM						PRESSURE TEST GROUP	QTY	TAG NO.
	A	H	L	ØP	ØS (Socket Weld)	T			
15	63.5	53	150	13	21.8	13	A		
20	75	84	175	19	27.4	14			
25	89	83	175	25	34.1	18			
40	115	106	235	38	49	20	B		
50	125	135	315	50	61	22			



Manufacturing Standard : BS 5351
Hydrostatic & Pneumatic : BS 5146

Test Class 800

Shell	211/182/152 kg/cm ² g
Seat Air	7 Kg/cm ² g
A-Group	71 kg/cm ² g
B-Group	51 kg/cm ² g

End Connections : Screwed, Socket, Butt Weld Ends.

- A** = ASTM A-216 Gr.WCB
- B** = ASTM A-351 Gr.CF8
- C** = ASTM A-351 Gr.CF8M
- D** = ASTM A-351 Gr.CN7M
- E** = AISI - 304
- F** = AISI - 316
- G** = AISI - 410
- H** = ASTM A-351 Gr.CF3
- I** = ASTM A-494 N 12 M1
- J** = ASTM A-494 CW 12 M1
- L** = ASTM A-193 Gr.B7 / Gr.10.9
- M** = ASTM A-193 Gr. B8
- N** = ASTM A-193 Gr. B8M
- R** = ASTM A-194 Gr.2H
- S** = ASTM A-194 Gr.8
- T** = ASTM A-194 Gr.8M
- U** = AISI - 304L
- W** = ASTM A-105
- Y** = ASTM A-182 F-304
- Z** = ASTM A-182 F-316
- a** = ASTM A-351 Gr.CF3M
- b** = AISI - 316L
- PTFE** = POLY TETRA FLUORO ETHYLENE
- GFT** = GLASS FILLED TEFLON
- PVC** = POLY VINYL CHLORIDE

NO.	PART NAME	MATERIAL										
		A	B	C	D	H	a	I	J	W	Y	Z
1	Body	A	B	C	D	H	a	I	J	W	Y	Z
2	Socket Weld End	A	B	C	D	H	a	I	J	W	Y	Z
2a	Screwed End	A	B	C	D	H	a	I	J	W	Y	Z
3	Gland	G	E	F	D	U	b	I	J			
4	Ball	G	E	F	D	U	b	I	J			
5	Stem	G	E	F	D	U	b	I	J			
6	Seat	PTFE		GFT		GRAFOIL						
7	Stem Seal	PTFE		GFT		GRAFOIL						
8	Gland Packing	PTFE		GFT		GRAFOIL						
9	Body Seal	PTFE		GFT		GRAFOIL						
10	Lever	E				STEEL (PLATED)						
11	Lever Nut	STEEL										
12	Body Stud Nut	E	L	M	N	R	S	T				
13	PVC Grip	PVC										

CUSTOMER :
ORDER NO :
JOB/PROJECT :

Development is continuous and specifications are subject to alterations at any time without notice

Drg. No : ACVPLJ72-F3/15-40 / 3 PC

OUR Ref :

Aqua Control Valves Pvt. Ltd.,
D/72, C/67, Industrial Estate,
Udyambag, BELGAUM - 590 008
Karnataka State,
INDIA